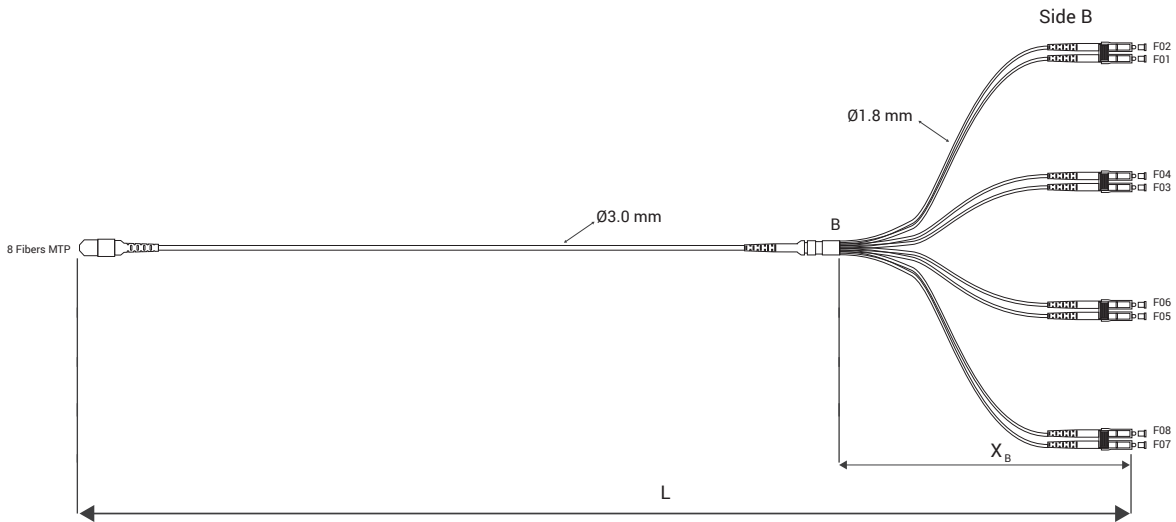
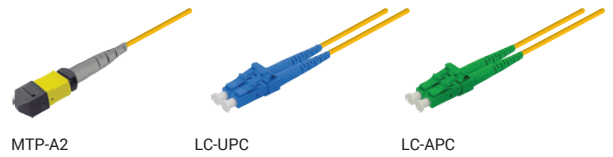
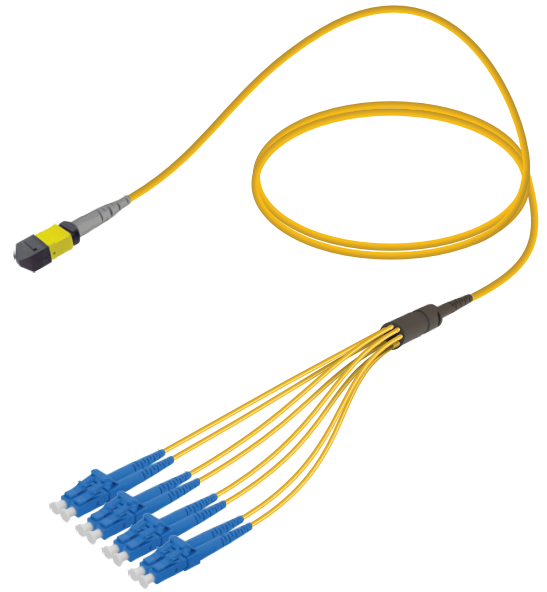


## Fanout Single Mode 8 Fibers 1.8mm

### Properties

MTP Connector Compliance	EC 61754-7, TIA 604-5, RoHS
LC Connector Compliance	IEC 61754-20, TIA 604-10-A, RoHS
Base-8	8 Fibers
Cable Diameter	3.0mm
Subunit Diameter	1.8mm
Alignment Technology LC Side	Full ceramic ferrule (Zirconia ZrO <sub>2</sub> )
Operating Temperature	-10°C to +70°C
Flammability	UL94 V-0
Durability (MTP/LC)	> 100/1000 mating cycles
Transmission with Applied Tensile Load	50 Newton
Insertion Loss: IEC 61300-3-4-MB	MTP ≤ 0,35dB (avg: 0,1 dB); LC ≤ 0.30dB
Return Loss: IEC 61300-3-6-MB	MTP: ≥ 60dB LC: UPC ≥ 50dB; APC ≥ 60dB
Connector End Face Geometry	IEC 61755-3



\* X (Tube Length) is standard 500mm. Please contact us for different tube length.

Sample Coding

**I - PC - 08 - MF - 318 - A2 - B - MTPEf - 04LCD - 005M**

Type	Type	Fiber Count	Cable Type	Diameter	Fiber Type	Polarization	1. Connector	2. Connector	Length
Indoor: I	Patch Cord: PC	8 Fibers: 08	MTP/Fanout: MF	3.0/1.8mm: 318	SM G.657 A2: A2	A Polarization: A B Polarization: B	MTP-Female: MTPEf MTP-Male: MTPEm	LC-UPC: 04LCD LC-APC: 04LAD	---M